

## Embedded Solutions



### SATA III M.2 SSDs

## MTS602M & MTS602I

Transcend's MTS602M with SATA III 6Gb/s interface and ultra compact dimensions make it best suited to address the high-performance needs and strict size limitations of small form factor devices. This means it is perfect for use in today's modern ultrabooks, thin and light notebooks, and tablets. Built with the latest SATA III 6Gb/s specifications, and with a powerful controller and exceptional transfer speeds, the M.2 SSD easily handles everyday computing tasks as well as demanding multimedia applications.

Transcend also offers the MTS602I with wide temperature (-40°C ~ 85°C) capabilities to ensure sustained functionality, enhanced endurance and optimal reliability in mission-critical applications.

### Hardware Features

- Compliant with RoHS 2.0 standards
- Space-saving M.2 form factor (60mm) – ideal for mobile computing devices
- DDR3 DRAM Cache embedded
- MLC NAND flash
- Promised operational reliability in a wide temperature range (from -40°C to 85°C)

### Firmware Features

- Built-in BCH ECC (Error Correction Code) functionality
- Advanced Global Wear-Leveling and Block management for reliability
- Advanced Garbage Collection
- Supports S.M.A.R.T. function to conduct health monitoring, analysis, and reporting for storage devices
- NCQ command for better performance

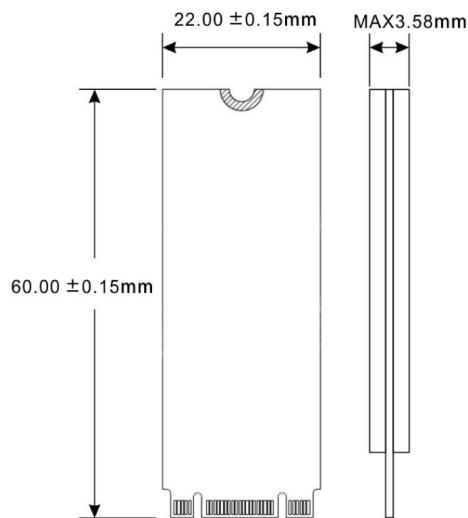
### Ordering Information

32GB	TS32GMTS602M TS32GMTS602I
64GB	TS64GMTS602M TS64GMTS602I
128GB	TS128GMTS602M TS128GMTS602I
256GB	TS256GMTS602M TS256GMTS602I
512GB	TS512GMTS602M TS512GMTS602I

## Specifications

<b>Appearance</b>	Dimensions	60 mm x 22 mm x 3.58 mm (2.36" x 0.87" x 0.14")
	Weight	7 g (0.25 oz)
	Form Factor	M.2
	M.2 Type	2260-D2-B-M (Double-sided)
<b>Interface</b>	Bus Interface	SATA III 6Gb/s
<b>Storage</b>	Flash Type	MLC NAND flash
	Capacity	32 GB / 64 GB / 128 GB / 256 GB / 512 GB
<b>Operating Environment</b>	Operating Voltage	3.3V±5%
	Operating Temperature	Standard 0°C (32°F) ~ 70°C (158°F)
		Wide Temp. -40°C (-40°F) ~ 85°C (185°F)
	Storage Temperature	-40°C (-40°F) ~ 85°C (185°F)
	Humidity	5% ~ 95%
	Shock	1500 G, 0.5 ms, 3 axis
	Vibration (Operating)	20 G (peak-to-peak), 7 Hz ~ 2,000 Hz (frequency)
<b>Power</b>	Power Consumption (Operation)	2.50 watt(s)
	Power Consumption (Sleep)	0.35 watt(s)
<b>Performance</b>	Sequential Read/Write (CrystalDiskMark)	Read: up to 530 MB/s Write: up to 450 MB/s
	4K Random Read/Write (IOmeter)	Read: up to 70,000 IOPS Write: up to 70,000 IOPS
	Mean Time Between Failures (MTBF)	2,500,000 hour(s)
	Terabytes Written (TBW)	up to 1,480 TBW
	Drive Writes Per Day (DWPD)	2.6 (3 yrs)
<b>Warranty</b>	Certificate	CE / FCC / BSMI / UKCA
	Warranty	Three-year Limited Warranty

## Mechanical Dimensions



Product specifications are subject to change without notice. Pictures shown may differ from actual products. Total accessible capacity varies depending on operating environment. Due to the complexity and variety of industrial applications, Transcend cannot guarantee 100% compatibility with all platforms and under all scenarios. For special applications and environments, it is strongly suggested that you contact Transcend beforehand for clarification.