

Embedded Solutions



SATA III M.2 SSDs

MTS800 & MTS800I

Transcend's MTS800 with SATA III 6Gb/s interface and ultra compact dimensions make it best suited to address the high-performance needs and strict size limitations of small form factor devices. This means it is perfect for use in today's modern ultrabooks, thin and light notebooks, and tablets. Built with the latest SATA III 6Gb/s specifications, and with a powerful controller and exceptional transfer speeds, the M.2 SSD easily handles everyday computing tasks as well as demanding multimedia applications.

Transcend also offers the MTS800I with wide temperature (-40°C ~ 85°C) capabilities to ensure sustained functionality, enhanced endurance and optimal reliability in mission-critical applications.

Hardware Features

- Compliant with RoHS 2.0 standards
- Promised operational reliability in a wide temperature range (from -40°C to 85°C)
- Space-saving M.2 form factor (80mm) – ideal for mobile computing devices
- DDR3 DRAM Cache embedded
- MLC NAND flash

Firmware Features

- Advanced Global Wear-Leveling and Block management for reliability
- Advanced Garbage Collection
- Supports S.M.A.R.T. function to conduct health monitoring, analysis, and reporting for storage devices
- Power-saving DevSleep (Device Sleep) mode
- Built-in BCH ECC (Error Correction Code) functionality

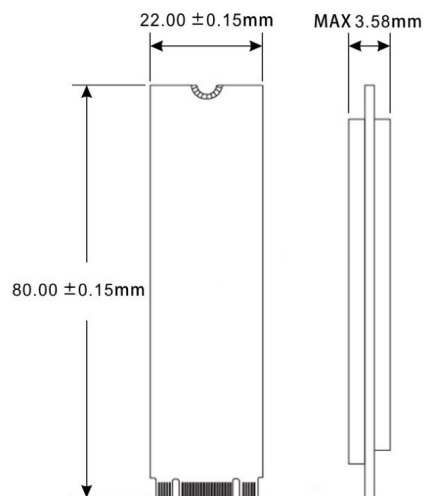
Ordering Information

32GB	TS32GMTS800 TS32GMTS800I
64GB	TS64GMTS800 TS64GMTS800I
128GB	TS128GMTS800 TS128GMTS800I
256GB	TS256GMTS800 TS256GMTS800I
512GB	TS512GMTS800 TS512GMTS800I
1TB	TS1TMTS800 TS1TMTS800I

Specifications

Appearance	Dimensions	80.0 mm x 22.0 mm x 3.58 mm (3.15" x 0.87" x 0.14")
	Weight	9 g (0.32 oz)
	M.2 Type	2280-D2-B-M (Double-sided)
	Form Factor	M.2 2280
Interface	Bus Interface	SATA III 6Gb/s
Storage	Capacity	32 GB / 64 GB / 128 GB / 256 GB / 512 GB / 1 TB
	Flash Type	MLC NAND flash
Operating Environment	Operating Voltage	3.3V±5%
	Operating Temperature	Standard Temp. 0°C (32°F) ~ 70°C (158°F)
		Wide Temp. -40°C (-40°F) ~ 85°C (185°F)
	Storage Temperature	-40°C (-40°F) ~ 85°C (185°F)
	Humidity	5% ~ 95%
	Shock	1500 G, 0.5 ms, 3 axis
	Vibration (Operating)	20 G (peak-to-peak), 7 Hz ~ 2000 Hz (frequency)
Power	Power Consumption (Operation)	2.64 watt(s)
	Power Consumption (IDLE)	0.41 watt(s)
Performance	Sequential Read/Write (CrystalDiskMark)	Read: Up to 530 MB/s Write: Up to 460 MB/s
	4K Random Read/Write (IOmeter)	Read: Up to 75,000 IOPS Write: Up to 75,000 IOPS
	Mean Time Between Failures (MTBF)	2,500,000 hour(s)
	Terabytes Written (TBW)	Up to 2,360 TBW
	Drive Writes Per Day (DWPD)	2.6 (3 yrs)
Warranty	Certificate	CE / UKCA / FCC / BSMI
	Warranty	Three-year Limited Warranty

Mechanical Dimensions



Product specifications are subject to change without notice. Pictures shown may differ from actual products. Total accessible capacity varies depending on operating environment. Due to the complexity and variety of industrial applications, Transcend cannot guarantee 100% compatibility with all platforms and under all scenarios. For special applications and environments, it is strongly suggested that you contact Transcend beforehand for clarification.